

Cover Slide

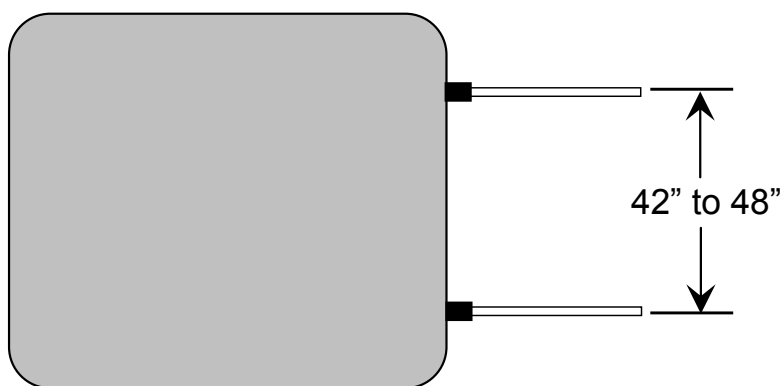
Cover removal device installation instructions

CAUTION: The Cover Slide cover removal device is designed to support the weight of the spa cover only. DO NOT allow any person or object to be placed on the spa cover while it is on the supports or on the supports without the cover removed. Injury or death may occur. Avoid drowning, never leave children unattended in or near the spa.

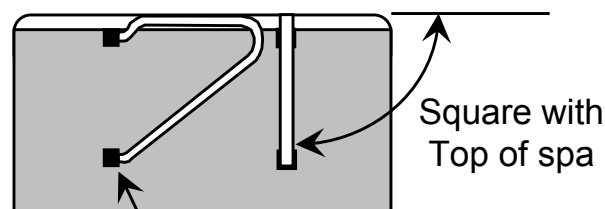
Installation: (read entirely prior to proceeding with installation)

1. Insert the upper tube assembly into the lower tube assembly until the snap button pops into its alignment hole.
2. Position the supports 48" apart (for 8' spa) or less for smaller spas (note 42" minimum) per the diagrams below and install the 8 screws provided.

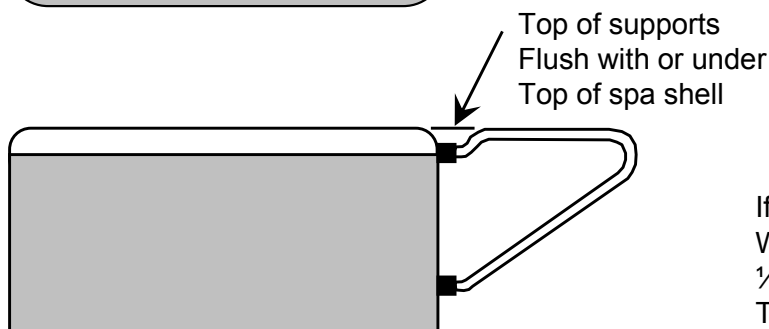
Top View



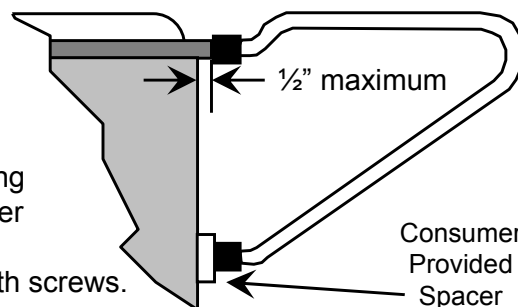
End View



Position upper mount
First and adjust lower
Mount up or down
Slightly to make upper
Tube flush with spa shell



Side View



If mounting on a spa
With a ledge exceeding
1/2", add a spacer under
The lower mount and
Install increased length screws.

Usage:

1. Swing the supports out until perpendicular to the side of the spa.
2. Fold the cover in half towards the supports.
3. Slide the cover onto the supports
4. Perform the above steps in reverse to reinstall the cover.

