

COVERMATE I

Installation Instructions

SpaDepot.com

Figure 1

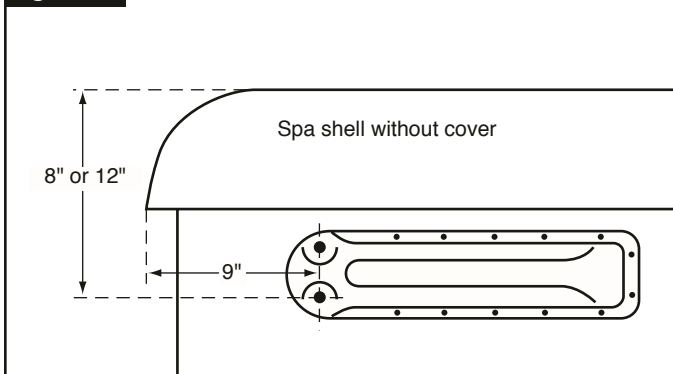


Figure 2

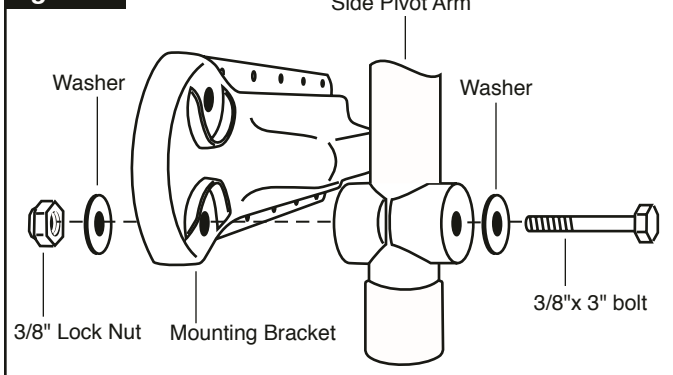


Figure 3

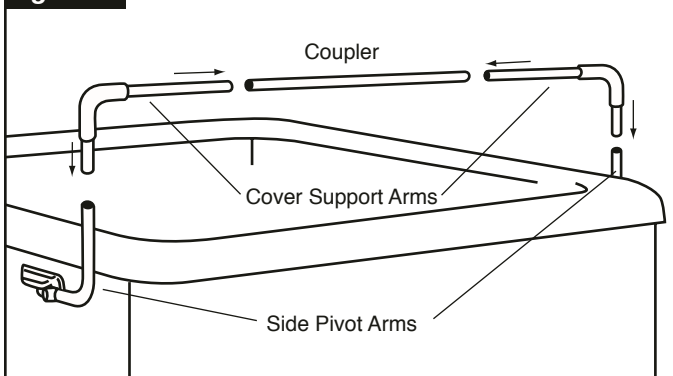


Figure 4

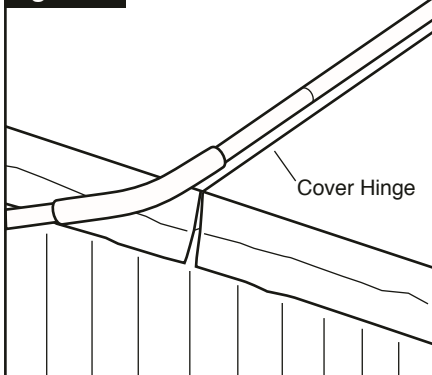
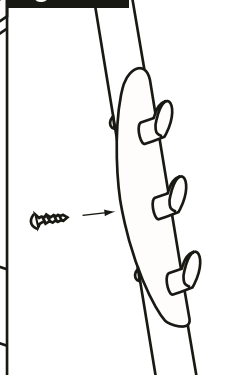


Figure 5



Step #1

Position the spa cover (in closed position) on the spa, making sure that all four corners are properly positioned and square on the spa.

Step #2

Using the #10 X 1" screws, attach the left and right Mounting Brackets to the appropriate sides of the spa.

Caution: To prevent splitting of wood cabinet, pre-drill holes with a 1/16" drill bit.

Mounting height is optional. (See Fig.1)

By positioning the Brackets at 8" down from the top of the spa shell, approx. 9" clearance behind the spa will be needed.

Mounted at this position approximately 75% of the spa cover will be standing above the spa surface in the off position.

By positioning Brackets 12" down from the top of the spa shell, approx. 15" clearance behind the spa will be needed.

Mounted at this position approximately 50% of the spa cover will be standing above the spa surface in the off position.

Step #3

Connect the Pivot Arms to the Mounting Brackets.

(See Fig. 2) After Pivot Arms are connected tilt them back into the upright position.

Step #4

Insert the long end of the Support Arms into the center Coupler Piece. Then slide Support Arms into the Pivot Arms.

(See Fig. 3)

Step #5

Lay the Covermate on the spa cover. Adjust the Coupler Piece and Support Arms so that the Coupler Piece is lying parallel to the spa cover's hinge about a 1/2" away.

(See Fig. 4) Using the #10 self tapping screws, fasten Support Arms to Pivot Arms and the Coupler Piece.

Note: Be sure to rotate the Coupler Piece so that the inserted screws are at a horizontal angle with heads facing the back of the spa.

Step #6

Slip the black hand grips to the edge of the spa cover and snap black plastic screw head covers on.

Step #7

Attach the provided 3 hook TowelMate on the preferred side of your Covermate, by simply snapping it into place and inserting the middle self tapping screw. (See Fig. 5)

You are done!

CAUTION!

Do not use the Covermate in high wind conditions (greater than 10 m.p.h.). Injury from the spa cover being blown over and impacting the spa user can occur.