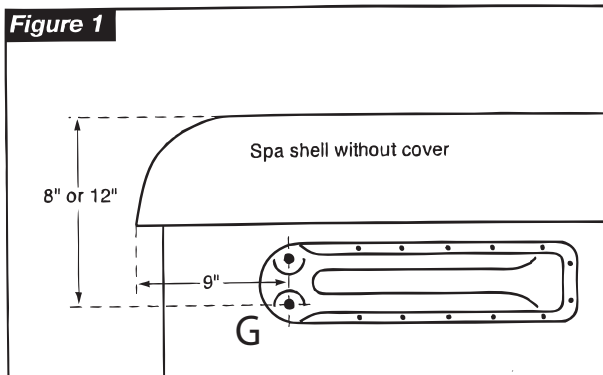
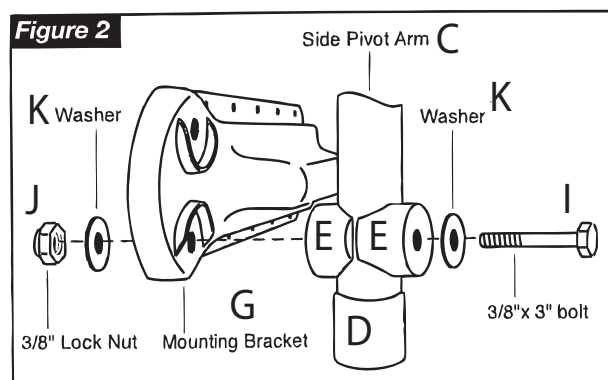


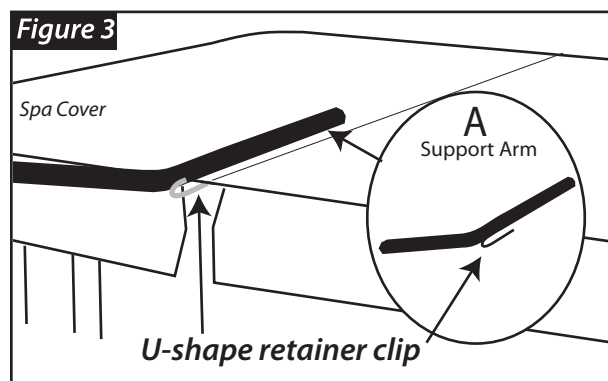
**Figure 1**



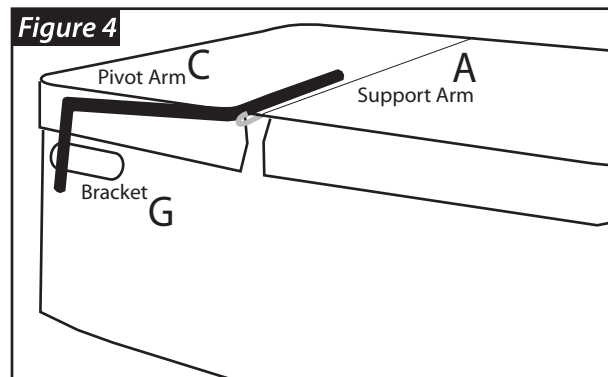
**Figure 2**



**Figure 3**



**Figure 4**



## Step #1

Position the spa cover (in a closed position) on the spa, making sure that all four corners are properly positioned and square on the spa.

## Step #2

Determine the mounting height of the mounting brackets (See Figure 1).

By positioning the brackets to the side of the spa 8" down from the top of the spa shell, approximately 9" clearance behind the spa will be needed. Mounted at this position approximately 75% of the spa cover will be standing above the spa surface in the open position.

By positioning the brackets 12" down from the top of the spa shell, approximately 15" clearance behind the spa will be needed. Mounted at this position approximately 50% of the spa cover will be standing above the spa surface in the open position.

**Mark the bracket position on the spa, do not mount the brackets until Step #6.**

## Step #3

Connect the pivot arms to the mounting brackets (See Figure 2). The pivot arms should move freely...

**do not over-tighten the bolt.**

## Step #4

Position the support arms on the top of the cover, lying parallel to the spa cover hinge about 1/2" away. Insert the U-shaped retainer clip in between the two cover halves with the horizontal part touching the underside of the cover hinge (See Figure 3).

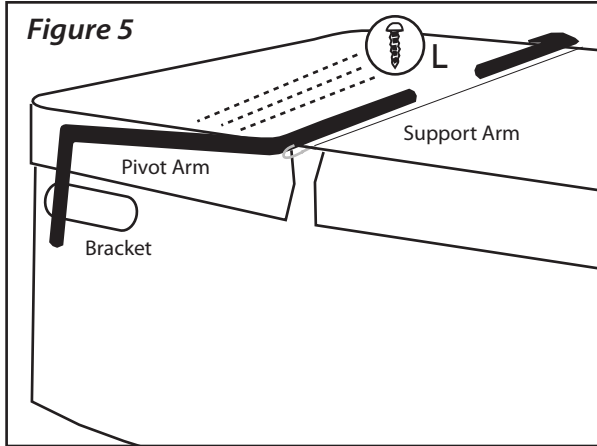
## Step #5

Slide the support arms into the pivot arms far enough for the mounting bracket to be placed in the marked position from Step #2 (See Figure 4). Do not fasten the support arms and pivot arms together with self-tapping screws until Step #7 when you will be making final adjustments.

## Step #6

Using the #10 x 1" screws, attach the mounting bracket to each side of the spa with the pivot arms and support arms attached to the bracket.

**Caution: To prevent splitting of wood cabinet, pre-drill holes with a 1/16" drill bit.**



### Step #7

Attach the pivot arms to the support arms using the #10 x 5/8 Phillips Pan-Self Tapping Screws (See Figure 5).

You Are Done!

## CAUTION!

*Do not use the Covermate in high wind condition (greater than 10 m.p.h). Injury from the spa cover being blown over and impacting the spa user can occur.*

## BOX CONTENT

ITEM	Part #	Description	QTY
A	100371	SUPPORT ARM W/RETAINER - LEFT	1
B	100372	SUPPORT ARM W/RETAINER - RIGHT	1
C	100004	PIVOT ARM ASSEMBLY- 3' 2" x 1 1/4	2
D	100007	PIVOT ARM CAP Vinyl 1.25" x 3"	2
E	100344	BUSHING, PLASTIC BLACK .8825 in. THICK	4
F	100021	BRACKET KIT SET	1
G	100348	PLASTIC MOUNTING BRACKET - 14" x 4.25"	2
H	100373	CM ECO SCREW KIT	1
I	100010	3/8-16 X 3"Hex Cap Screw	2
J	100011	3/8-16 Locknut	2
K	100012	3/8 USS Flat Washer	4
L	100013	#10 x 5/8" Phillips Pan-Self Tapping Screw	6
M	100014	#10 x 1" Phillips Pan Screw - for mounting	24
N	100374	CM ECO Instruction Sheet	1