

*assist-a-lift II*TM

Exclusively from The Spa Depot

Cover Removal System Installation & Use Manual



SET-UP AND

BEFORE BEGINNING ASSEMBLY, CAREFULLY READ THE FOLLOWING INFORMATION AND IN-STRUCTIONS:

Place all parts in a cleared area and remove the packing materials from the spa shell; do not dispose of the packaging materials until assembly is completed and the spa is in operation. Assembly requires two people.

For help identifying the small parts used in assembly, use the small parts list below or the Parts List on Page 5. Note: Some small parts may have been pre-attached for shipping. If a part is not in the parts bag, check to see if it has been pre-attached.

During assembly, make sure that all parts are oriented as shown in the drawings.

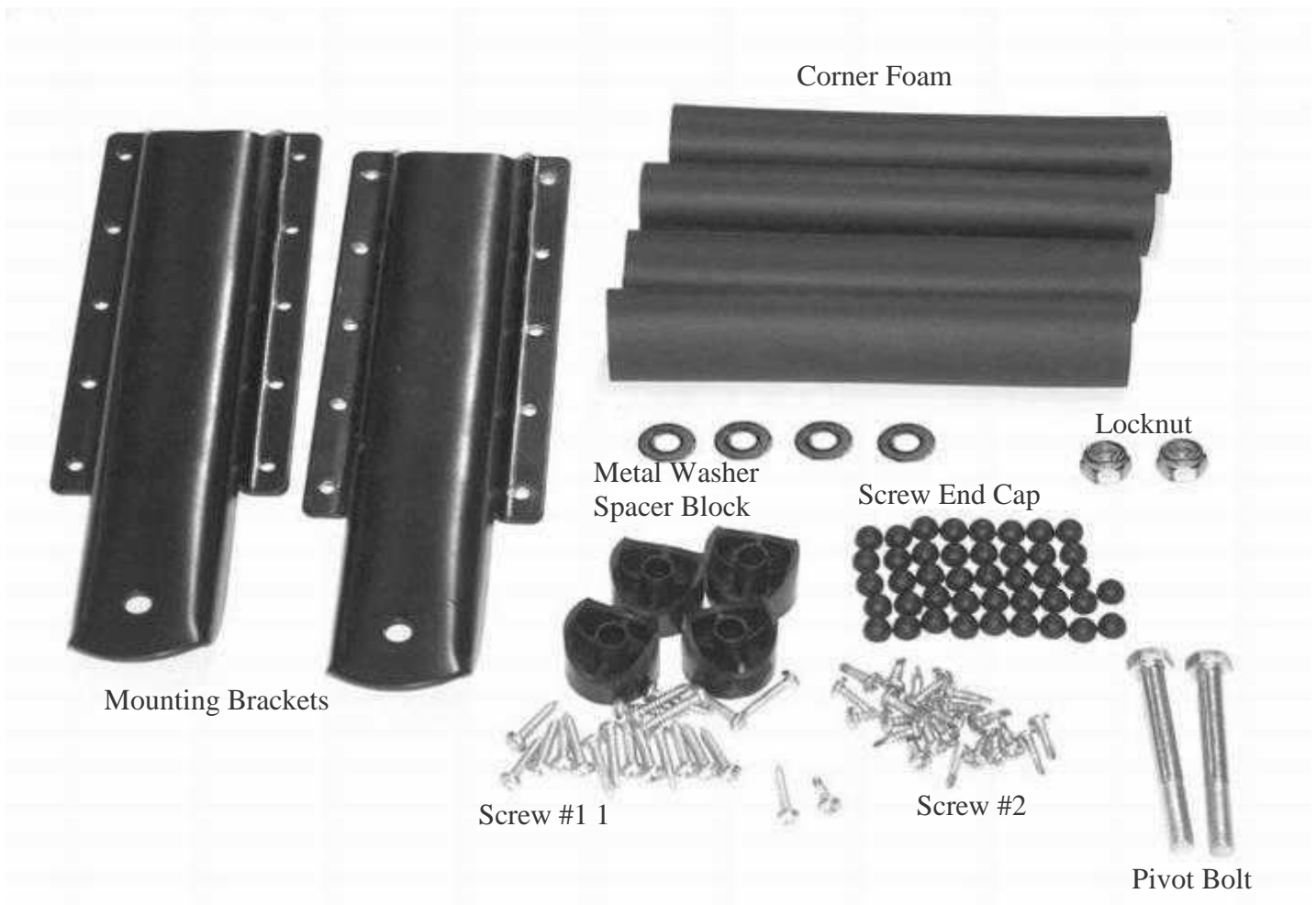
Read each assembly step before you begin. Tighten all parts as you assemble them, unless instructed to do otherwise.

ASSEMBLY REQUIRES THE FOLLOWING TOOL (not included):

- One (1) adjustable wrench
- One (1) phillips screwdriver
- One (1) hammer
- One (1) power drill with a 1/16 drill bit and a 1/4 drill bit.
- Soapy water

You will also need some silicone to apply to the screw heads before installing the end caps. (optional)

SMALL PARTS



INSTALLATION

Figure 1



Figure 2 A

1. Position the spa cover (in closed position) on the spa, making sure that all four corners are properly positioned and square on the spa.
2. Insert the **Side Pivot Bolts** and a **metal washer** into the **mounting brackets**. (Figure 1)

Using the **#1 Screws**, attach the left and right **mounting brackets** to the appropriate sides of the spa. Position bracket flush to panel and .5" from bottom of corner panel.
See Figure 2. ***

Figure 2A



*****OPTIONAL UNDER SPA BRACKETS**. (Figure 2A)

If using the **Under Spa Brackets** instead of installing the **Mounting Brackets** directly to the spa skirt, screw the **Under Spa Brackets** using the nuts, lock washers and bolts that was included with your **Under Spa Brackets** to your **Mounting Brackets**. Then lift the spa up and insert the **Under Spa Brackets** bottom plate under the spa from the corner. Repeat for other side, proceed to step 3.

Figure 3



3. Now it is time to connect the **Side Pivot Arms** to the **Mounting Brackets**. Attach the **Side Pivot Arms** to the **Mounting Brackets** with two **spacer blocks**, a **metal washer**, and a **locknut**. Secure the bolt tightly on the back side of the mounting bracket. Repeat this procedure for each side. See Figure 3.



Figure 4



Slip the coupler
over the Lower
Cover Support
Arm

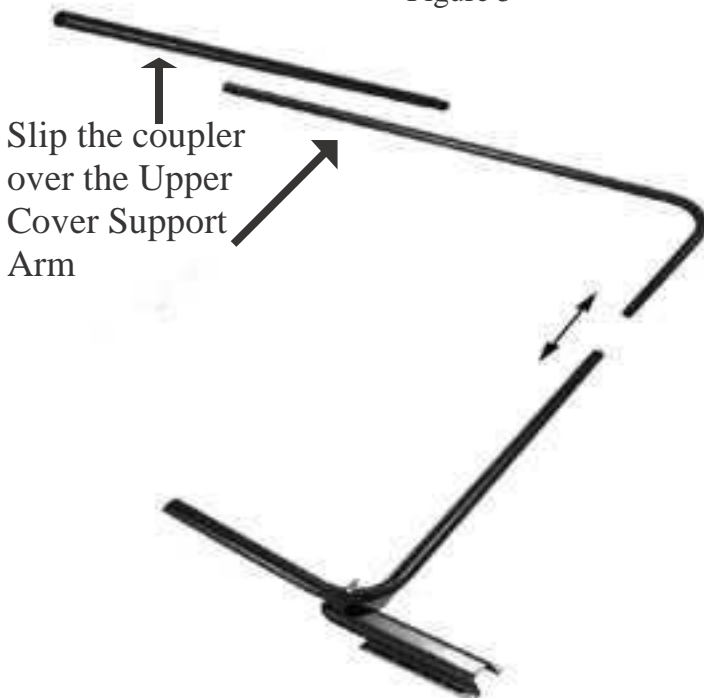
4. Slide two of the **foam** tubes on the corners of the **Lower Cover Support Arms** . (It is easiest to install the foam by dipping them in soapy water first). See Figure 4A.

Insert the long ends of the **Lower Cover Support Arms** into both sides of the **Coupler** piece and then slide the **Lower Cover Support Arms** into the shorter of the **Pivot Arms** on each side. See Figure



Figure 4A

Figure 5



Slip the coupler
over the Upper
Cover Support
Arm

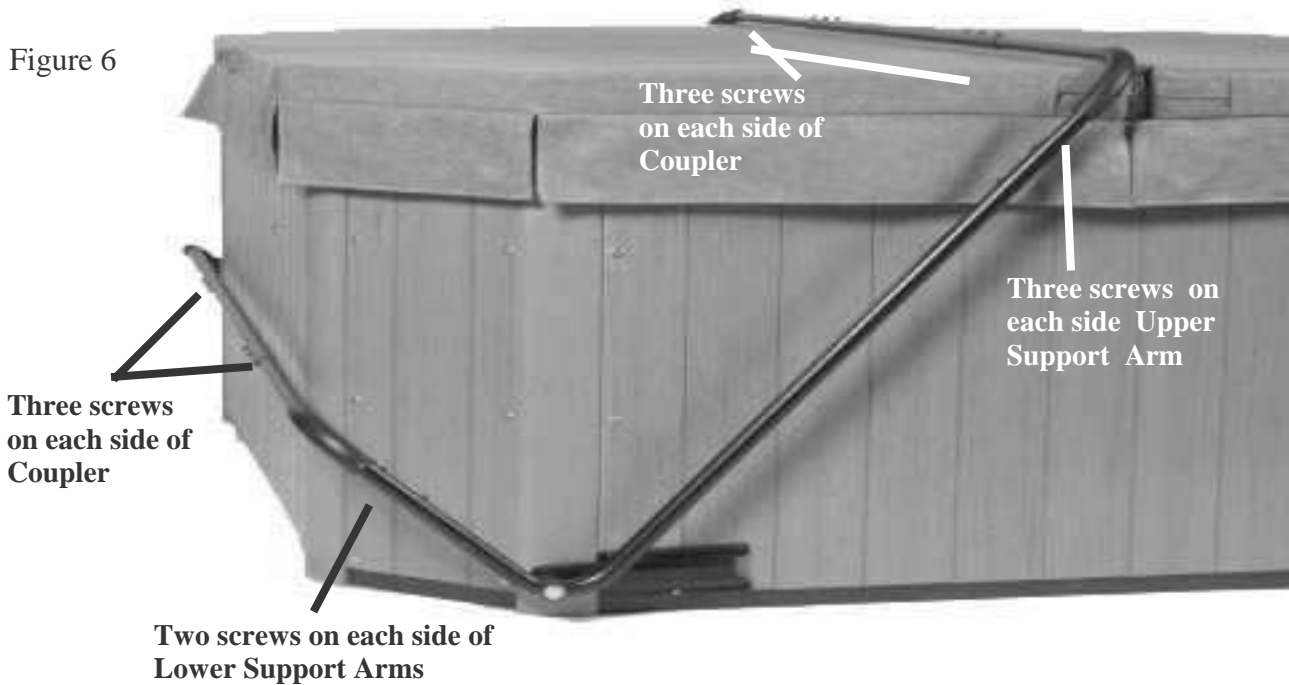
5. Slide two of the **foam** tubes to the corners of the **Upper Cover Support Arms**.

Then slide the long end of the **Upper Cover Support Arms** into either side of the **Coupler** piece and then slide the short end of the **Upper Cover Support Arms** into the top of the **Side Pivot Arms**. See Figure 5.

Note: The Upper Cover Support Arms and the Coupler will now be laying on top of the spa cover along the fold.

6. Adjust and center the **Coupler Piece** and **Upper Support Arms** so that the **Coupler Piece** is lying parallel (approximately 1/2" away from the lifter to the spa cover's hinge).

Figure 6



7. Once you have the lifter fitted to the size of your spa, predrill the holes that connect all the arms together. Using the **#2 Screws**, fasten **Support Arms** to the **Coupler Pieces**. There will be six screws inserted into each of the **Coupler Pieces**, three at each end. There will be three screws inserted into each **Upper Cover Support Arm** where it connects to the **Side Pivot Arm** and two screws inserted into the **Lower Cover Support Arms** where they attach to the **Side Pivot Arm**. Use a touch of silicone on top of the screws to apply the screw head covers on each screw. See Figure 6.

Note: Be sure to rotate the coupler Piece so that the inserted screws are at a horizontal angle with the heads facing the back of the spa.



8. To remove the cover from the spa with the **CRS 1**, fold the spa cover (at the hinge) back over the **Upper Cover Support Arm**.

Then, using your foot, step down upon the **Lower Cover Support Arm** while holding onto the foam padded **Upper Support Arm** and the cover will lift up and be placed behind the spa.

PARTS

Key No.	Qty	Description
1	24	#2 Screw
2	2	Mounting Bracket
3	2	Pivot Arm (15-1/2" x 43")
4	2	Pivot Bolt
5	4	Metal Washer
6	2	Locknut
7	4	Spacer Block
8	2	Lower Cover Support Arm (9-1/2" x 41")
9	2	Upper Cover Support Arm (19" x 41")
10	2	Coupler
11	44	Screw End Cap
12	20	#1 Screw
13	4	Corner Foam

